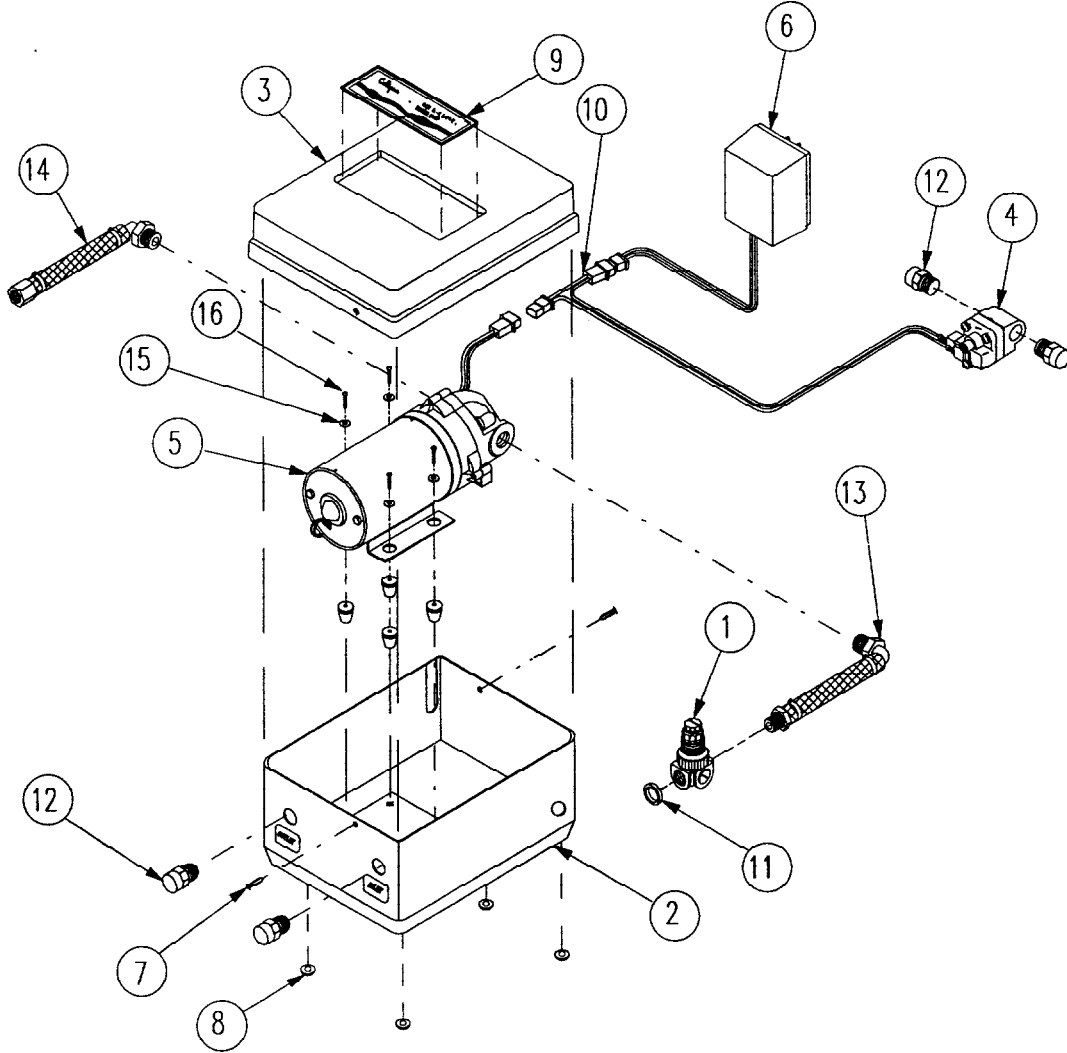




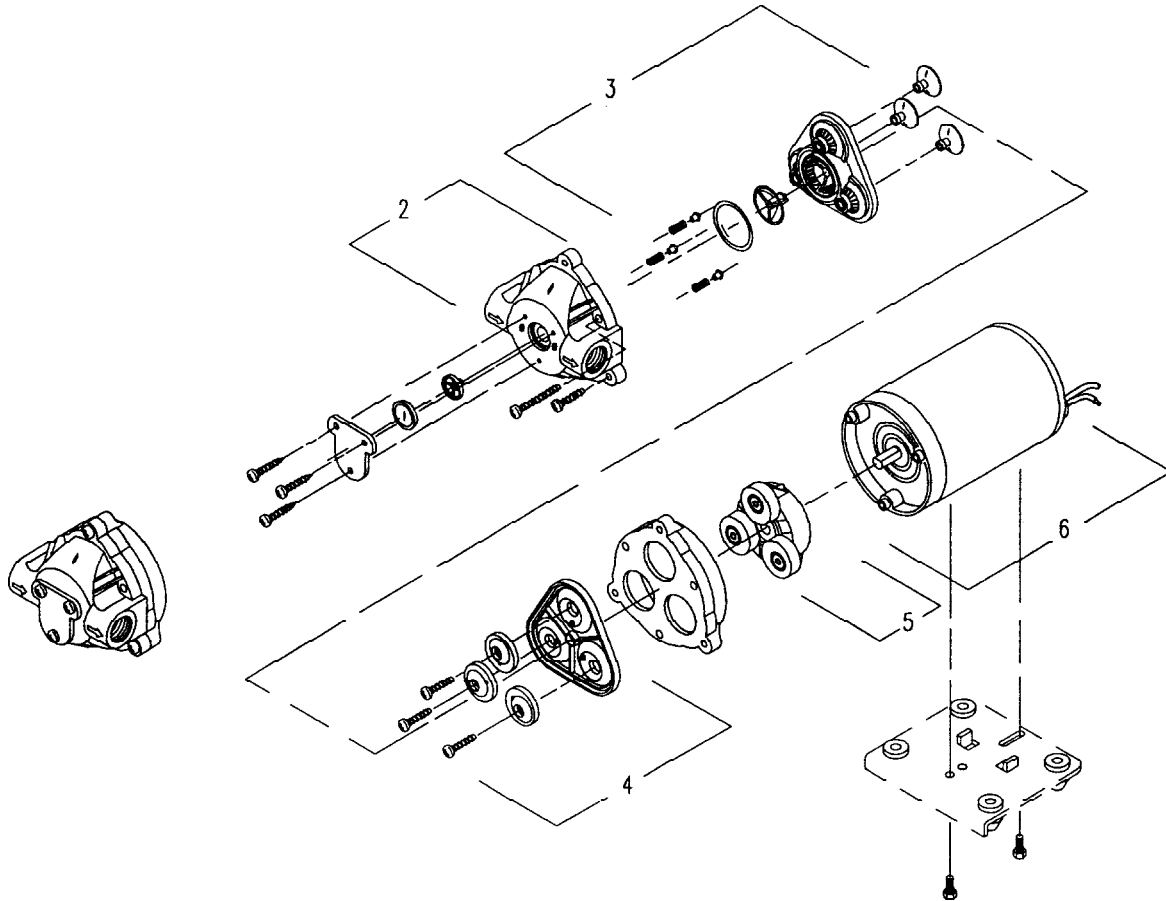
**BOOSTER PUMP / EXTERNAL TRANSFORMER
MODELS FROM JULY 93 / PRESENT
PARTS LIST**



Item Number	Part Number	Description	Qty Req.
1	01-0044-08	Regulator, 0-25 psi	1
2	01-0044-10	Enclosure Base, White	1
3	01-0044-11	Enclosure Cover, White	1
4	01-0044-09	Press Switch Assembly, 25-60 psi	1
5	01-0044-12	Pump Assembly, 24VAC 80 psi w/Bypass	1
6	01-0044-13	Transformer	1
*7	10-328	Arrow Clip, Nylon	2
*8	10-387	Rubber Foot, Neoprene	4
*9	19-261	Decal	1
*10	84-169-00	Wiring Harness	1
*11	7-046	Washer, Neoprene	1
12	P1-0044-20	Fitting, 1/4 Tube x 1/4 NPTM / MP 10	4
13	01-0044-18	Connector Hose Assembly, Inlet	1
14	01-0044-19	Connector Hose Assembly, Outlet	1
*15	4-017-01	Washer, .192 Flat S.S.	4
*16	1-176-01	Screw Pan Hd. #8X 1.00 S.S.	4

*Contact Culligan for part availability
MP denotes a Multi-Pack

PUMP
PN 8010-101-200
PARTS LIST



Item Number	Part Number	Description	Qty Req.
1	01-0044-04	Complete Pump Head	1
2	01-0044-05	Upper Housing	1
3	01-0044-06	By-Pass Valve Assembly	1
4	01-0044-07	Diaphragm	1
*5	94-385-02	Drive Assembly	1
*6	11-155-00	Motor	1

*Contact Culligan for part availability