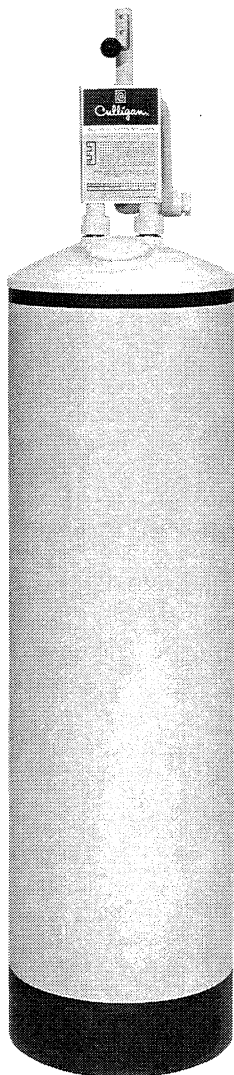


# Culligan®

## CUL-BROOK™ WATER SOFTENER & WATER FILTER PARTS LIST

### MODELS FROM 1961 - 1990



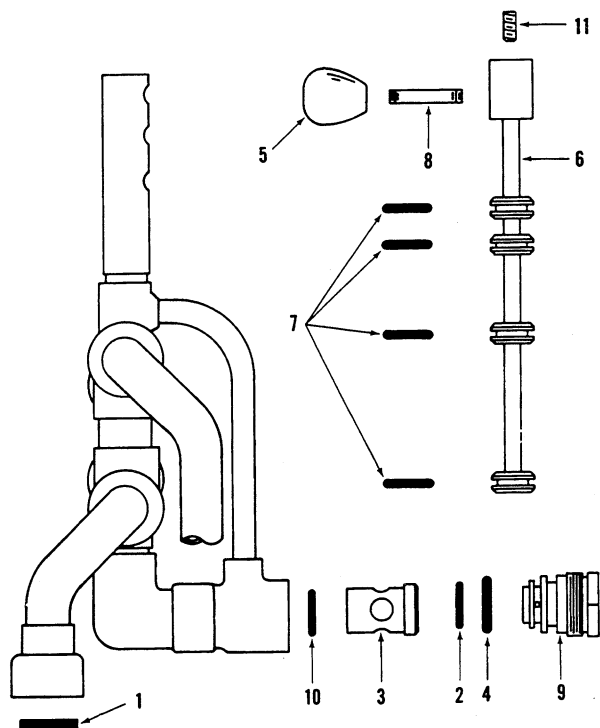
#### Table of Contents

	Page
Control Valve Parts.....	2
Tank Parts.....	3-4

CULLIGAN INTERNATIONAL COMPANY/NORTHBROOK, IL & SUBSIDIARIES OR DIVISIONS  
CULLIGAN USA DIVISION/NORTHBROOK, IL 60062 — SAN BERNARDINO, CA 92402  
CULLIGAN NV/BRUSSELS, BELGIUM — CULLIGAN ITALIANA SpA/BOLOGNA, ITALY  
CULLIGAN OF CANADA, LTD./MISSISSAUGA, ONTARIO, CANADA L5K 1A5  
CULLIGAN ESPANA S.A./08191 RUBI (BARCELONA), SPAIN



# Control Valve Parts



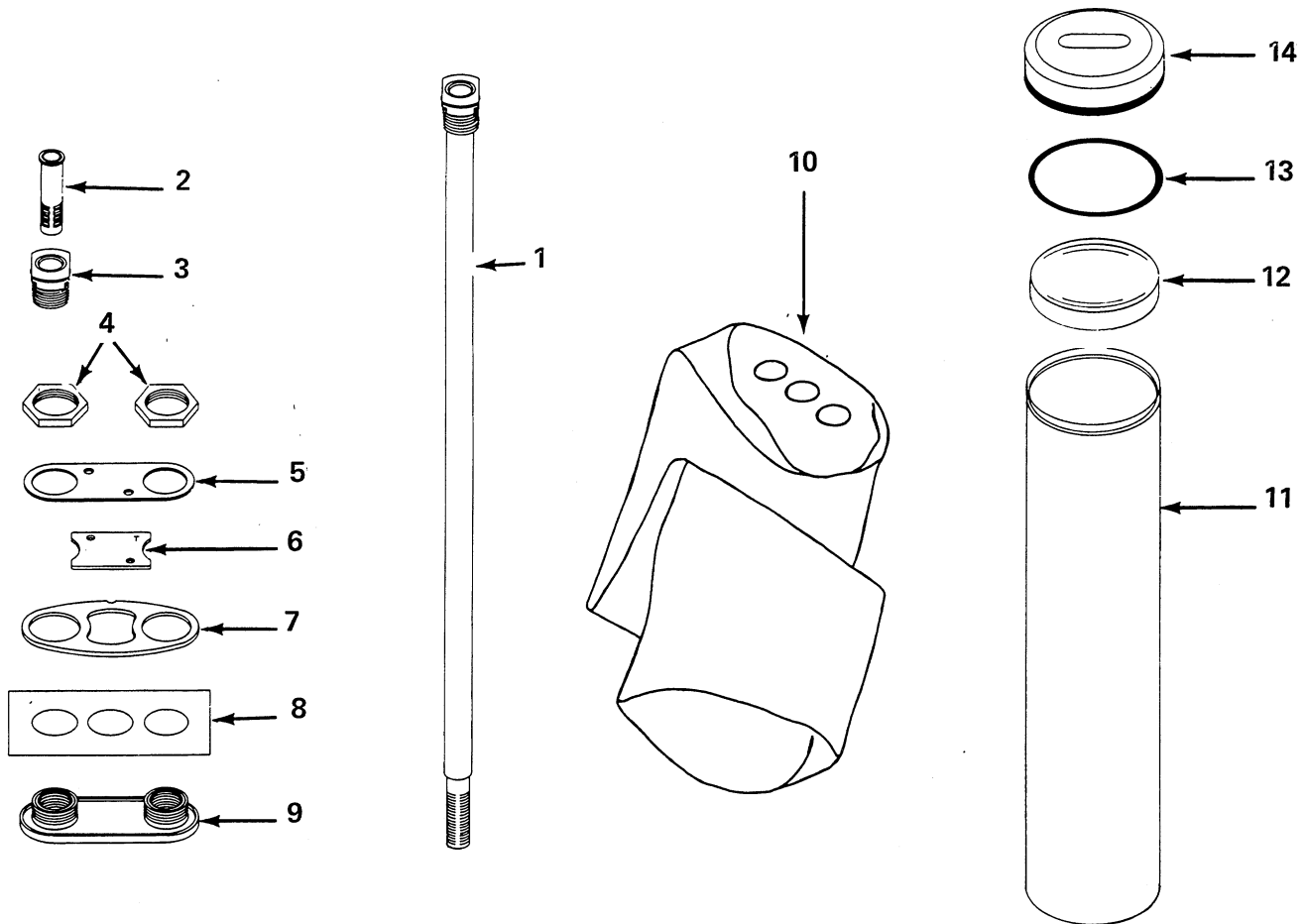
Item No.	Part Number	Description
‡	00-3305-14	Control Assembly - does not include Instruction Plate Duo-Flo™ Control or O-ring
1	P0-2037-05	Gasket / MP 100
2	P0-3044-11	O-ring / MP 25
3	00-3233-10	Duo-Flo Control - Cullex® - 9-inch 1.75 x 0.35 gpm
	00-3237-10	Duo-Flo Control - Cullex - 12-inch, Cullar® - 9-inch 3.5 x 0.35 gpm
	00-4409-07	Duo-Flo Control - Cullisorb® -, Cullneu® - 9-inch, Cullar - 12-inch 6.2 x 0.55 gpm
	00-4409-08	Duo-Flo Control - Cullisorb -, Cullneu - 12-inch 10.0 x 1.0 gpm
	00-3233-13	Duo-Flo Control - 9-inch Filtr-Clear® Filter 6.2 x 1.75 gpm
4	P0-3339-60	O-ring / MP 10
5	00-4835-00	Knob
6	00-5310-00	Valve Stem
7	P0-3084-26	O-ring / MP 50
8	00-5411-02	Lever
9	00-5414-25	Plug
10	00-6803-04	O-ring
11	00-4452-96	Set Screw
*	00-5711-50	Instruction Plate, Cul-Brook™ Softener
*	00-5711-51	Instruction Plate, Cul-Brook Cullisorb Filter
*	00-4416-73	Instruction Plate, Filtr-Clear Filter
*	00-8401-70	Position Decal
*	00-4416-79	Instruction Plate, Cullar Filter
*	00-4416-78	Instruction Plate, Cullneu Filter

\* Not Illustrated

‡ Discontinued - Not Available

MP Denotes a Multi-Pack Quantity

## Tank Assembly Parts Cullar® and Filtr-Clear® Filters Only



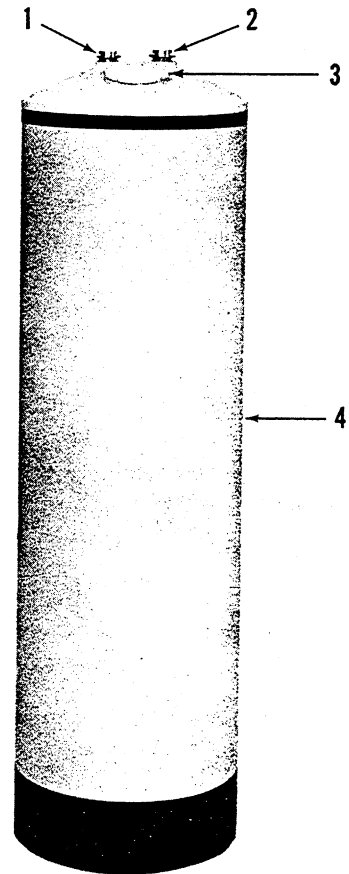
Item No.	Part No.	Description	Item No.	Part No.	Description
*	00-4447-14	Tank Assembly, 9-in. Replacement, less Media, Manifolds & Coupling	9	01-0007-39	Yoke
*	00-4448-63	Tank Assembly, 12-in. Replacement, less Media, Manifolds & Coupling	†10	00-2202-36	Tank Liner, 9-inch
†1	00-2325-90	Outlet Manifold		00-2202-22	Tank Liner, 12-inch
2	P0-2320-07	Inlet Manifold, Wide Slot / MP 25	11	00-4445-83	Tank Well, 9-inch
3	00-3314-68	Inlet Coupling		00-4446-44	Tank Well, 12-inch
4	00-2206-01	Nut (2 required)	12	00-4445-85	Crush Pad, 9-inch
5	00-3205-05	Cover Plate		00-4446-46	Crush Pad, 12-inch
6	00-3314-65	Spacer Plate	13	00-4419-97	Seal Ring, 9-inch
†7	00-3232-06	Gasket		00-4446-45	Seal Ring, 12-inch
†8	00-3232-05	Barrier	14	00-4445-82	Well Cover, 9-inch
				00-4446-43	Well Cover, 12-inch
			*	00-4408-35	Brown Band (order by foot)

\* Not Illustrated

† Recommended Spare Parts

# Tank Assembly Parts Except Cullar® and Filtr-Clear® Filters

Item No.	Part No.	Description
††	00-4038-23	Tank, Tripl-Hull™, Replace 9-inch with Fill Port and Manifolds, No Media
††	00-4046-85	Tank, Tripl-Hull, Replace 12-inch with Fill Port and Manifolds, No Media
1	00-2325-95	Inlet Manifold Assembly, Softeners and Cullorsorb® Filters
	00-2034-00	Inlet Tank Fitting, Filtr-Clear and Cullneu® Filters
*	P0-2320-07	Inlet Manifold, Filtr-Clear Wide Slot / MP 25 and Cullneu Filters
2	00-2325-78	Outlet Manifold Assembly
3	00-3099-01	Quick-Twist™ Cap, Beige
4	00-2100-45	Exterior Jacket, 9-inch (Complete)
*	00-2100-46	Exterior Jacket, 12-inch (Complete)
*	00-4448-22	O-ring, Quick-Twist Cap
*	00-3007-00	Flange Gasket
*	00-2031-00	Bottom Plug for Tank, 3/4-inch NPT
	‡	Tank Flange for Cap



\* Not Illustrated

‡ Discontinued - Not Available

†† The original galvanized fill port tank is no longer available. Substitute complete Tripl-Hull tank.