

Cat. No. 01881767

Rev. F 05/12/05

DCO # 8262

Culligan®
Components and Accessories
Household Products

Culligan®

Components and Accessories Household Products

AUTOMATIC WATER SOFTENER COMPONENTS AND ACCESSORIES	4
Control Valve Assemblies	
Timer and Aqua-Sensor® Sensing Device Retrofit Kits	
Media Tank Assemblies	
Salt Storage Assemblies	
Softener Accessories	
AUTOMATIC FILTER COMPONENTS AND ACCESSORIES	9
Control Valve Assemblies	
Media Tank Assemblies	
Cullisorb® Media Filter Solution Tank Assembly	
Filter Accessories	
MANUAL SOFTENER AND FILTER COMPONENTS AND ACCESSORIES	10
Control Assemblies	
Media Tank Assemblies	
Miscellaneous Accessories	
CONTROL VALVE SERVICE PARTS	11
REPLACEMENT QUADRA-HULL TANKS FOR TRIPL-HULL TANKS	14
SOFTENER AND FILTER MEDIA	17
AUTOMATIC SOFTENER/FILTER INSTALLATION AND SERVICE ACCESSORIES	18
Cul-Flo-Valv® Bypass Assemblies	
Installation Accessories and Supplies	
Special Tools and Kits	
DRINKING WATER SYSTEM COMPONENTS AND ACCESSORIES	22
Ball Valves/Storage Tanks	
Faucets	
Filter Components	
Installation and Service Tools	
Installation Parts Accessories/Tubing	
REPLACEMENT FILTER CARTRIDGES	27
CHEMICAL FEEDER SYSTEM ACCESSORIES	29
CULLIGAN-AIR REPLACEMENT LAMPS	29

This section lists individual components and installation accessories. It should be used as a reference for ordering components to balance inventory or for ordering items needed for installation.

For information concerning individual parts replacement for the above units, please refer to the appropriate section in the HOUSEHOLD PRODUCTS MASTER PARTS MANUAL.

AUTOMATIC WATER SOFTENER COMPONENTS AND ACCESSORIES

SOFTENER CONTROL VALVE ASSEMBLIES

DESCRIPTION	CATALOG NO.
A. Culligan Medallist Series Timeclock Control	01-0140-42
Culligan Medallist Series Soft-Minder Meter Control	01-0143-02
Culligan Medallist Series Timeclock Control with Bracket Service Kit	01-0146-38
Culligan Medallist Series Soft-Minder Meter Control with Service Bracket Kit	01-0146-39
Culligan Medallist Plus Series Control	01-0163-28
Culligan Medallist Plus Series Control – 12" Tanks	01-0163-43
B. Culligan Silver Series Aqua-Sensor & Timeclock Control	01-0142-78
Culligan Silver Series Soft-Minder Meter Control	01-0145-01
Culligan Silver Series Aqua-Sensor & Timeclock Control with Bracket Service Kit	01-0146-40
Culligan Silver Series Soft-Minder Meter Control with Bracket Service Kit	01-0146-41
C. Culligan Gold Series Control	01-0171-31
D. Culligan Platinum Series Control	01-0171-33
E. Culligan 9000 Soft-Minder Twin – ¾" Meter	01-0170-12
Culligan 9000 Soft-Minder Twin – 1" Meter	01-0030-12
Culligan 9100 Soft-Minder Twin	01-0175-75
F. Outdoor Culligan Medallist Series Control	01-0148-15
Outdoor Culligan Medallist Plus Series Control	01-0164-86
Outdoor Culligan Medallist Plus Series Control – 12" Tanks	01-0164-87
Outdoor Culligan Gold Series Control	01-0176-93



A



B



C



D



E



F

AUTOMATIC WATER SOFTENER COMPONENTS AND ACCESSORIES

DESCRIPTION CATALOG NO.

A. Automatic Service Assembly Retrofit Kit

Adapts Culligan Medallist Series control and Culligan Silver Series control to tanks with slip fittings. 01-0146-15

Meter Kits

B. Culligan Medallist Series and Culligan Silver Series Soft-Minder meter kit 01-0129-05

C. Culligan Gold Series and Culligan Platinum Series Soft-Minder meter kit 01-0111-88

Aqua-Sensor Probes

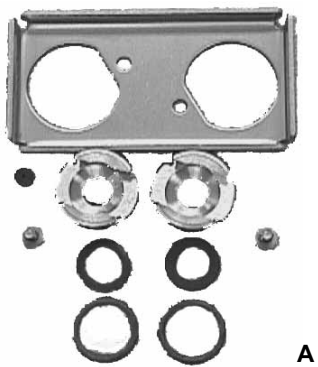
D. Culligan Silver Series Aqua-Sensor probe

Aqua-Sensor probe for 9" tank 01-0103-28

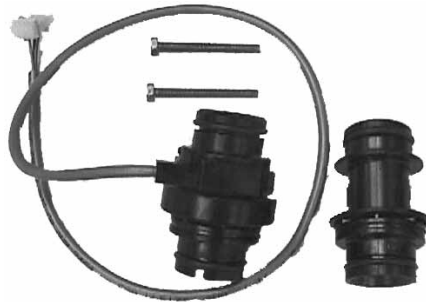
Aqua-Sensor probe for 12" tank 01-0103-29

E. Culligan Gold Series and Culligan Platinum Series Aqua-Sensor Probe Tripl-Hull Tanks 01-0113-41

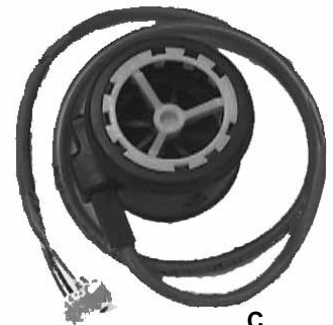
F. Culligan Gold Series and Culligan Platinum Series Aqua-Sensor Probe Quadra-Hull Tanks. 01-0165-68



A



B



C



D



E



F

Softener Tank Assemblies - Filled

DESCRIPTION CATALOG NO.

A. Culligan Medallist and Medallist Plus Series Tanks

Culligan Medallist Series 8" Tank	00-4408-21
Culligan Medallist Series 10"x40" Tank	01-0148-89
Culligan Medallist Series 10"x54" Tank	01-0148-90
Culligan Medallist Plus Series 10"x40" Tank	01-0163-89
Culligan Medallist Plus Series 10"x54" Tank	01-0163-90
Culligan Medallist Plus Series 12"x52" Tank (Less Resin)	01-0145-73

B. Culligan Gold Series and Culligan Platinum Series Tanks

9" Quadra-Hull Tank with out Fillport	01-0163-51
9" Quadra-Hull Tank with Fillport	01-0166-17
10" Quadra-Hull Tank with out Fillport	01-0163-52
10" Quadra-Hull Tank with Fillport	01-0166-18
12" Quadra-Hull Tank with out Fillport (Less Resin)	01-0171-91
12" Quadra-Hull Tank with Fillport (Less Resin)	01-0171-92
14" Quadra-Hull Tank with out Fillport (Less Resin)	01-0171-93
14" Quadra-Hull Tank with Fillport (Less Resin)	01-0171-94
16" Quadra-Hull Tank with out Fillport (Less Resin)	01-0171-95
16" Quadra-Hull Tank with Fillport (Less Resin)	01-0171-96

Culligan Soft-Minder Twin Tanks

Culligan Soft-Minder Twin 9" Quadra-Hull Tank (9000 Control Valve)	01-0164-96
Culligan Soft-Minder Twin 10" Quadra-Hull Tank (9000 Control Valve)	01-0164-97

Culligan Mark 910 Tank 01-0077-31



A



B

AUTOMATIC WATER SOFTENER COMPONENTS AND ACCESSORIES

Softener Tank Assemblies – Empty

DESCRIPTION **CATALOG NO.**

Culligan Medallist Series Tanks

Culligan Medallist Series 8" Tank	00-4418-97
Culligan Medallist and Medallist Plus Series 10"x40" Tank.....	01-0148-91
Culligan Medallist and Medallist Plus Series 10"x54" Tank.....	01-0148-92
Culligan Medallist Plus Series 10"x54" Tank 12"x52" Tank.....	01-0144-56

Culligan Gold Series and Culligan Platinum Series Quadra-Hull Tanks

9" Quadra-Hull Tank with out Fillport.....	01-0163-47
9" Quadra-Hull Tank with Fillport.....	0101-63-49
10" Quadra-Hull Tank with out Fillport.....	01-0163-48
10" Quadra-Hull Tank with Fillport.....	01-0163-50
12" Quadra-Hull Tank with out Fillport	01-0165-19
12" Quadra-Hull Tank with Fillport	01-0165-20
14" Quadra-Hull Tank with out Fillport	01-0165-21
14" Quadra-Hull Tank with Fillport	01-0165-22
16" Quadra-Hull Tank with out Fillport	01-0165-23
16" Quadra-Hull Tank with Fillport	01-0165-24

Culligan Soft-Minder Twin Tanks

9" Culligan Soft-Minder Twin Quadra-Hill Tank	01-0176-77
10" Culligan Soft-Minder Twin Quadra-Hull Tank	01-0176-78

Softener Brine Assemblies

DESCRIPTION **CATALOG NO.**

A. 375 lb. Brine System – Household Softener

375 lb. salt capacity complete with household brine valve, brine chamber and salt support plate. . 00-4418-87

375 lb. Brine System – Commercial Softener

375 lb. salt capacity complete with commercial brine valve, brine chamber and salt support plate. 01-0019-09

250 lb. Brine System

250 lb. salt capacity complete with brine valve, brine chamber and salt support plate. 00-4418-86

B. 160 lb. Brine System

160 lb. salt capacity complete with brine valve, brine chamber. 00-4413-90

C. Salt Plates

Salt plate for 375 lb brine tank

Salt plate for 250 lb brine tank

D. Overflow Fitting Kit

Provides extra protection against brine overflow. For all brine systems.

Order sufficient ½" drain tubing to reach nearest floor drain. 00-3314-10

Softener Accessories

DESCRIPTION **CATALOG NO.**

A. Softner-Gard™ Iron Control Accessory

Complete with pump, reservoir, foot valve, machined eductor cover, decal, fittings, switch assembly and solenoid valve. 00-4465-18

Fine Slot Inlet Manifold

Helps prevent resin loss on high pressure or supplies with entrapped air.

B. Culligan Medallist Series Fine Slot Inlet Manifold 01-0145-08

C. Culligan Silver Series Fine Slot Inlet Manifold (25 per package) P0-2320-05

D. Culligan Gold Series and Culligan Platinum Series Fine Slot Inlet Manifold 01-0098-47

Fiberglass Tank Adapters

E. 2 1/2" ACME Fiberglass tank adapter with couplings and o-rings. 01-0139-71

2 1/2" NPSM Fiberglass tank adapter with couplings and o-rings. 01-0139-70

2 1/2" ACME Fiberglass tank adapter. 00-4448-08

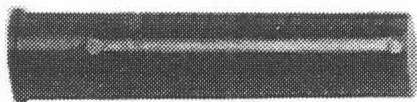
2 1/2" NPSM Fiberglass tank adapter. 00-4035-23



A



B



C



D

AUTOMATIC WATER FILTER COMPONENTS AND ACCESSORIES

Filter Control Valve Assemblies

DESCRIPTION	CATALOG NO.
A. Culligan Medallist Series Filter Control	01-0144-09
Culligan Medallist Plus Series Filter Control	01-0176-38
B. Culligan Gold Series Filter Control	01-0145-65
C. Culligan ¾" Super S Filter Control	00-4011-23
D. Culligan 1" Super S Filter Control	01-0147-73
E. Culligan Iron-Cleer ¾" Filter Control	01-0140-72
F. Culligan Iron-Cleer 1" Filter Control	01-0145-56
G. Culligan Cullsorb Filter Control	01-0171-36

Tank Assemblies – Less Media

DESCRIPTION	CATALOG NO.
A. Culligan Medallist Series Filter Tanks	
Culligan Medallist Series 8" Tank	00-4418-97
Culligan Medallist Series 10"x54" Tank	01-0148-92
Culligan Medallist Series 10"x54" with Fillport Tank	01-0140-21
B. Culligan Gold Series Filter Tanks	
9" Quadra-Hull Tank with out Fillport	01-0170-14
9" Quadra-Hull Tank with Fillport	01-0170-15
10" Quadra-Hull Tank with out Fillport	01-0170-16
10" Quadra-Hull Tank with Fillport	01-0170-17
C. Culligan Super S Tank	
10" Quadra-Hull Tank	01-0170-16
10" Fiberglass Tank	01-0145-72
D. Culligan Iron-Cleer Filter Tanks	
Iron-Cleer 10" Media Tank	01-0145-72
Iron-Cleer 10" Aeration Tank	01-0140-87
Iron-Cleer 12" Media Tank	01-0145-73
Iron-Cleer 12" Aeration Tank	A2-3650-28
E. Culligan Cullsorb Filter 9" Tank	01-0166-49

Filter Accessories

DESCRIPTION	CATALOG NO.
A. Culligan Cullsorb Filter Solution Storage Assembly	
Includes tank, cover, locking fasteners, solution valve and chamber and dissolver.	00-4458-77
B. Iron-Cleer Aeration Tank Adapter	01-0140-79

MANUAL FILTER COMPONENTS

Control Valve Assembly

DESCRIPTION **CATALOG NO.**

A.. Manual control valve for all manual softeners and filters 00-4038-36

Tank Assemblies - Empty

DESCRIPTION **CATALOG NO.**

B Culligan Manual Filter 9" Quadra-Hull Tank without Fillport 01-0166-49

Culligan Manual Filter 9" Quadra-Hull Tank with Fillport 01-0181-51

Culligan Manual Filter 10" Quadra-Hull Tank without Fillport 01-0170-23

Culligan Manual Filter 10" Quadra-Hull Tank with Fillport 01-0170-24

CONTROL VALVE SERVICE PART KITS

Household Softener Controls

DESCRIPTION	PARTS INCLUDED	WHERE USED	CATALOG NO.	
PV Seal Rebuild Kit	Seal Pack	MK 89, MK 100, Silver, Medallist, Gold	01-0162-67	
	Eductor Sleeve w/ O-Rings			
	Brine Piston w/ O-Rings			
PV Eductor Rebuild Kit	Light Brown Eductor w/ O-Ring		MK 89, MK 100, Silver, Medallist, Gold	01-0162-66
	Blue Restrictor w/ O-Ring			
	Beige Restrictor w/ O-Ring			
	Eductor Screen			
	Eductor Port Gasket			
	Black Flow Control (1.2 gpm)			
	Brown Flow Control (2.0 gpm)			
	Green Flow Control (3.5 gpm)			
Drain Elbow Assembly w/ O-Ring				
PV Drive & Seal Rebuild Kit	Seal Pack	MK 89, MK 100, Silver, Medallist, Gold	01-0162-69	
	Eductor Sleeve w/ O-Rings			
	Brine Piston w/ O-Rings			
	Roll Pin			
	Scotch Yoke Bracket			
	Scotch Yoke			
	Bell Crank & Follower Assembly			
	Screw			
	E-Ring			
	Cam			
Platinum Eductor Rebuild Kit	Light Brown Eductor w/ O-Ring	Premier, Platinum	01-0162-72	
	Blue Restrictor w/ O-Ring			
	Beige Restrictor w/ O-Ring			
	Eductor Screen			
	Eductor Port O-Ring			
	Brown Flow Control (2.0 gpm)			
	Green Flow Control (3.5 gpm)			
	Drain Elbow Assembly w/ O-Ring			
Platinum Seal Rebuild Kit	Seal Pack	Premier, Platinum	01-0162-68	
	Brine Piston w/ O-Rings			
Solenoid Rebuild Kit	Solenoid Guide	MK 59, MK 10, Super S	01-0162-70	
	Armature Plunger			
	Spring			
	Diaphragm			
	Coil – 120 volts			
Seal Pack Retrofit Kit - Softener	Seal Pack	MK 89, MK 100	01-0130-33	
	Eductor Sleeve w/ O-Rings			
	Brine Piston w/ O-Rings			
	Roll Pin			
	Scotch Yoke Bracket			
	Scotch Yoke			
	Screw			
	E-Ring			
	Cam			
	Follower			

Household Filter Controls

DESCRIPTION	PARTS INCLUDED	WHERE USED	CATALOG NO.
Super S Rebuild Kit	Solenoid Guide	Super S	01-0162-73
	Armature Plunger		
	Spring		
	Diaphragm		
	Coil – 120 volts		
	1/8" Stainless Steel Check Valve		
	Strainer Screen		
	Elbow, 3/8" Tube x 3/8" NPTE		
	Elbow, 3/8" NPTE x 1/4" NPT		
	Seal Pack		
	Eductor Sleeve w/ Viton O-Rings		
	Brine Piston w/ Viton O-Rings		
	Light Brown Eductor w/ Viton O-Ring		
	Beige Restrictor w/ Viton O-Ring		
Eductor Port Gasket			
IC Rebuild Kit	Solenoid Guide	Iron Cleer	01-0162-74
	Armature Plunger		
	Spring		
	Diaphragm		
	Coil – 120 volts		
	1/4" Stainless Steel Check Valve		
	Strainer Screen		
	Elbow, 3/8" Tube x 3/8" NPTE		
	Elbow, 3/8" NPTE x 1/4" NPTI		
	Seal Pack		
Seal Pack Retrofit Kit – Super S	Eductor Sleeve w/ Viton O-Rings	Super S filter	01-0136-32
	Seal Pack		
	Brine Piston w/ Viton O-Rings		
	Roll Pin		
	Scotch Yoke Bracket		
	Scotch Yoke		
	Screw		
	E-Ring		
	Cam		
	Follower		

Household Filter Controls (continued)

DESCRIPTION	PARTS INCLUDED	WHERE USED	CATALOG NO.
Seal Pack Retrofit Kit – Cullsorb	Eductor Sleeve w/ O-Rings	Cullsorb Filters	01-0136-33
	Seal Pack		
	Brine Piston w/ Viton O-Rings		
	Roll Pin		
	Scotch Yoke Bracket		
	Scotch Yoke		
	Screw		
	E-Ring		
	Cam		
	Follower		
Seal Pack Retrofit Kit – Filter	Seal Pack	MK 89 Style Filters	01-0137-77
	Eductor Sleeve w/ O-Rings		
	Roll Pin		
	Scotch Yoke Bracket		
	Scotch Yoke		
	Screw		
	E-Ring		
	Cam		
	Follower		

REPLACEMENT QUADRA-HULL TANKS FOR TRIPL-HULL TANKS

Replacement Tanks for Tripl-Hull Yoke Tanks

Tripl-Hull Tanks		Where Used	Quadra-Hull Tanks	
Part No.	Description		Part No.	Description
00-4016-14	9" TH Tank w/ Fillport - Empty	9" Cullneu	01-0170-72	9" QH Tank w/ Fillport & Tank Adapter - Empty
00-4016-16	9" TH Tank less Manifold & Fittings - Empty	9" Cullneu	01-0170-72	9" QH Tank w/ Fillport & Tank Adapter - Empty
00-4016-88	9" TH Tank - Empty	9" Cullsorb, Collar and Filtr-Cleer	01-0170-71 or 01-0170-72	9" QH Tank & Tank Adapter – Empty or 9" QH Tank w/ Fillport & Tank Adapter - Empty
00-4038-23	9" TH Tank w/ Fillport - Empty	Manual Softeners & Filters	01-0170-72	9" QH Tank w/ Fillport & Tank Adapter - Empty
00-4046-91	9" TH Replacement Tank - Empty	Manual Filters	01-0170-71 or 01-0170-72	9" QH Tank & Tank Adapter – Empty or 9" QH Tank w/ Fillport & Tank Adapter - Empty
00-4445-88	9" TH Tank w/ 0.70 FT ³ of Cullex	MK 59 or MK 89	01-0170-73 or 01-0170-74	9" QH Tank, Tank Adapter & 0.86 FT ³ of Cullex or 9" QH Tank w/ Fillport, Tank Adapter & 0.86 FT ³ of Cullex
00-4445-89	9" TH Tank w/ Aqua-Sensor & 0.86 FT ³ of Cullex	MK 59 AS or MK 89 AS	01-0170-76	9" QH Tank w/ Aqua-Sensor, Tank Adapter & 0.86 FT ³ of Cullex
00-4447-14	9" TH Replacement Tank - Empty	Manual Filters	01-0170-71 or 01-0170-72	9" QH Tank & Tank Adapter – Empty or 9" QH Tank w/ Fillport & Tank Adapter - Empty
00-4447-16	9" TH Replacement Tank - Empty	MK 59 AS or MK 89 AS	01-0170-72 and 01-0165-68	9" QH Tank w/ Fillport & Tank Adapter – Empty or Aqua-Sensor Probe
00-4447-18	9" TH Replacement Tank - Empty	MK 59 or MK 89	01-0170-71 or 01-0170-72	9" QH Tank & Tank Adapter – Empty or 9" QH Tank w/ Fillport & Tank Adapter - Empty
01-0034-88	9" TH Tank w/ Aqua-Sensor & 0.86 FT ³ of Cullex	MK 100 or AS	01-0170-76	9" QH Tank w/ Aqua-Sensor, Tank Adapter & 0.86 FT ³ of Cullex
01-0037-55	9" TH Tank w/ 0.70 FT ³ of Cullex	MK 89	01-0170-73 or 01-0170-74	9" QH Tank, Tank Adapter & 0.86 FT ³ of Cullex or 9" QH Tank w/ Fillport, Tank Adapter & 0.86 FT ³ of Cullex
01-0037-57	9" TH Tank w/ 0.86 FT ³ of Cullex	MK 100 or Silver	01-0170-73 or 01-0170-74	9" QH Tank, Tank Adapter & 0.86 FT ³ of Cullex or 9" QH Tank w/ Fillport, Tank Adapter & 0.86 FT ³ of Cullex
01-0042-97	9" TH Replacement Tank - Empty	MK 100, AS or Silver AS	01-0170-72 and 01-0165-68	9" QH Tank w/ Fillport & Tank Adapter – Empty or Aqua-Sensor Probe
01-0042-98	9" TH Replacement Tank - Empty	MK 100 or Silver	01-0170-71 or 01-0170-72	9" QH Tank & Tank Adapter – Empty or 9" QH Tank w/ Fillport & Tank Adapter - Empty
01-0047-56	9" TH Tank w/ 0.70 FT ³ of Cullex	MK 10	01-0170-73 or 01-0170-74	9" QH Tank, Tank Adapter & 0.86 FT ³ of Cullex or 9" QH Tank w/ Fillport, Tank Adapter & 0.86 FT ³ of Cullex
01-0051-90	9" TH Replacement Tank - Empty	MK 10	01-0170-71 or 01-0170-72	9" QH Tank & Tank Adapter – Empty or 9" QH Tank w/ Fillport & Tank Adapter - Empty
01-0064-63	9" TH Tank w/ Aqua-Sensor & 0.86 FT ³ of Cullex	MK 100 AS or Silver AS	01-0170-76	9" QH Tank w/ Aqua-Sensor, Tank Adapter & 0.86 FT ³ of Cullex

Replacement Tanks for Tripl-Hull Yoke Tanks (continued)

Tripl-Hull Tanks		Where Used	Quadra-Hull Tanks	
Part No.	Description		Part No.	Description
00-4016-15	12" TH Tank w/ Fillport - Empty	12" Cullneu®	01-0170-28	10" QH Tank w/ Fillport & Tank Adapter - Empty
00-4016-17	12" TH Tank less Manifold & Fittings - Empty	12" Cullneu	01-0170-28	10" QH Tank w/ Fillport & Tank Adapter - Empty
00-4448-61	12" TH Tank - Empty	12" Cullar®	01-0170-27 or 01-0170-28	10" QH Tank & Tank Adapter–Empty or 10" QH Tank w/ Fillport & Tank Adapter - Empty
00-4046-85	12" TH Tank w/ Fillport - Empty	Manual Softeners & Filters	01-0170-28	10" QH Tank w/ Fillport & Tank Adapter - Empty
00-4046-92	12" TH Replacement Tank - Empty	Manual Filters	01-0170-27 or 01-0170-28	10" QH Tank & Tank Adapter–Empty or 10" QH Tank w/ Fillport & Tank Adapter - Empty
00-4446-41	12" TH Tank w/ 1.4 ft ³ of Cullex®	MK 512 or MK 812	01-0170-29 or 01-0170-30	10" QH Tank, Tank Adapter & 1.5 ft ³ of Cullex or 12" QH Tank w/ Fillport, Tank Adapter & 1.5 ft ³ of Cullex
00-4446-47	12" TH Tank w/ Aqua-Sensor & 1.4 ft ³ of Cullex	MK 512 AS or MK 812 AS	01-0170-31	10" QH Tank w/ Aqua-Sensor, Tank Adapter & 1.5 ft ³ of Cullex
00-4448-62	12" TH Replacement Tank - Empty	MK 512 AS or MK 812 AS	01-0170-28 or 01-0165-68	10" QH Tank w/ Fillport & Tank Adapter–Empty or Aqua-Sensor Probe
00-4450-96	12" TH Replacement Tank - Empty	MK 512 or MK 812	01-0170-27 or 01-0170-28	10" QH Tank & Tank Adapter–Empty or 10" QH Tank w/ Fillport & Tank Adapter - Empty
01-0034-89	12" TH Tank w/ Aqua-Sensor & 1.4 ft ³ of Cullex	MK 100 AS	01-0170-31	10" QH Tank w/ Aqua-Sensor, Tank Adapter & 1.5 ft ³ of Cullex
01-0037-58	12" TH Tank w/ 1.4 ft ³ of Cullex	MK 100 or Silver	01-0170-29 or 01-0170-30	10" QH Tank, Tank Adapter & 1.5 ft ³ of Cullex or 10" QH Tank w/ Fillport, Tank Adapter & 1.5 ft ³ of Cullex
01-0043-00	12" TH Replacement Tank - Empty	MK 100 AS or Silver AS	01-0170-28 or 01-0165-68	10" QH Tank w/ Fillport & Tank Adapter – Empty or Aqua-Sensor Probe
01-0042-99	12" TH Replacement Tank - Empty	MK 100 or Silver	01-0170-27 or 01-0170-28	10" QH Tank & Tank Adapter–Empty or 10" QH Tank w/ Fillport & Tank Adapter - Empty
01-0047-60	12" TH Tank w/ 1.4 ft ³ of Cullex	MK 10	01-0170-29 or 01-0170-30	10" QH Tank, Tank Adapter & 1.5 ft ³ of Cullex or 10" QH Tank w/ Fillport, Tank Adapter & 1.5 ft ³ of Cullex
01-0051-91	12" TH Replacement Tank - Empty	MK 10	01-0170-27 or 01-0170-28	10" QH Tank & Tank Adapter–Empty or 10" QH Tank w/ Fillport & Tank Adapter - Empty
01-0101-35	12" TH Tank w/ Aqua-Sensor & 1.4 ft ³ of Cullex	MK 100, AS or Silver AS	01-0170-31	10" QH Tank w/ Aqua-Sensor, Tank Adapter & 1.5 ft ³ of Cullex

Replacement Tanks for Tripl-Hull Center Opening Tanks

Center-Opening Tripl-Hull Tanks		Where Used	Quadra-Hull Tanks	
Part No.	Description		PN	Description
01-0112-08	9" TH Center-Opening Tank w/ 1.0 FT ³ of Cullex	Twin	01-0164-96	9"x 48" QH Tank & 1.0 FT ³ of Cullex
01-0112-09	12" TH Center-Opening Tank w/ 1.5 FT ³ of Cullex	Twin	01-0164-97	10"x 54" QH Tank & 1.5 FT ³ of Cullex
01-0112-82	9" TH Center-Opening Tank - Empty	Gold, Twin or Platinum	01-0163-47 or 01-0163-49	9"x 48" QH Tank – Empty or 9"x 48" QH w/ Fillport Tank–Empty
01-0112-83	12" TH Center-Opening Tank - Empty	Gold, Twin or Platinum	01-0163-48 or 01-0163-50	10"x 54" QH Tank – Empty or 10"x54" QH w/ Fillport Tank–Empty
01-0142-74	9" TH Center-Opening Tank w/ 1.0 FT ³ of Cullex	Gold or Platinum	01-0163-51 or 01-0166-17	9"x 48" QH Tank & 1.0 FT ³ of Cullex or 9"x 48" QH Tank w/ Fillport & 1.0 FT ³ of Cullex
01-0142-75	12" TH Center-Opening Tank w/ 1.5 FT ³ of Cullex	Gold or Platinum	01-0163-52 or 01-0166-18	10"x 54" QH Tank & 1.5 FT ³ of Cullex or 10"x 54" QH Tank w/ Fillport & 1.5 FT ³ of Cullex
01-0142-76	9" TH Center-Opening Tank w/ Aqua-Sensor & 1.0 FT ³ of Cullex	Gold or Platinum	01-0163-53	9"x 48" QH Tank w/ Aqua-Sensor & 1.0 FT ³ of Cullex
01-0142-77	12" TH Center-Opening Tank w/ Aqua-Sensor & 1.5 FT ³ of Cullex	Gold or Platinum	01-0163-54	10"x 54" QH Tank w/ Aqua-Sensor & 1.5 FT ³ of Cullex

AUTOMATIC SOFTENER AND FILTER MEDIA

DESCRIPTION	CATALOG NO.
Cullex – 1.0 ft ³ bag	00-1560-01
 Cullar D+	
20 lb bag	01-0146-32
27 lb bag	00-1627-00
 Cullneu	
50 lb bag	00-1600-10
 Cullneu C	
50 lb bag	00-1634-10
 Cullisorb – 1 ft ³ bag	
	00-1605-00
 Filtr-Clear Multi-Media Pack	
One media pack required for 8" Medallist Series and 9" Gold Series.	
Two media packs required for 10" Medallist Series and 12" Gold Series.	
	01-0139-68
 Cullsan	
20 lb bag	00-1607-02
30 lb bag	00-1607-07
 Super S CIM Media	
	00-4017-34
 Birm	
0.5 ft ³ bag	01-0145-75
1.0 ft ³ bag	A1-0250-02
 G-50	
35 lb bag	01-0145-76
50 lb bag	01-0013-45
 Cullsan U	
25 lb box	00-1638-13

AUTOMATIC SOFTENER, FILTER INSTALLATION AND SERVICE ACCESSORIES

Cul-Flo-Valve Bypass Kit

DESCRIPTION **CATALOG NO.**

A. Cul-Flo-Valve Bypass Kit for Culligan Medallist Series and Culligan Silver Series Controls

3/4" Sweat	01-0124-88
3/4" NPTI	01-0102-38
1" Sweat	01-0102-37

Cul-Flo-Valve Bypass Kit for Culligan Medallist Plus Series, Culligan Gold Series and Culligan Platinum Series Controls

B. 1 1/4" Rotary Design	01-0099-87
C. 1 1/4" Push-Pull Design	01-0164-64
D. 1" Copper Installation Kit	01-0107-83
3/4" Straight Copper Installation Kit	01-0165-64
3/4" Straight Elbow Installation Kit	01-0165-65
1 1/4" NPT x 1 1/4" Sweat Union Adapter	01-0150-57

E. Bypass Kit for In-Line Installation – Common plumbing connections on house side and unit side. Use with portable service.

3/4" Sweat (House) x 3/4" Sweat (Tank)	01-0124-89
3/4" NPTI (House) x 3/4" NPTI (Tank)	01-0124-90
3/4" Sweat (House) x 3/4" NPTI (Tank)	01-0124-91
1" NPTI (House) x 3/4" NPTI (Tank)	00-4867-04

F. Sweat Adapter Kit – For Culligan 3/4" power valves.

3/4" Sweat	00-3314-44
1" Sweat	00-3314-45

G. Stem Keeper – For retaining Culligan Medallist Series

and Culligan Silver Series controls Cul-Flo-Valve Bypass 00-4440-16

H. Straight Through Adapter for Culligan Medallist Plus Series, Culligan Gold Series and Culligan Platinum Series Controls

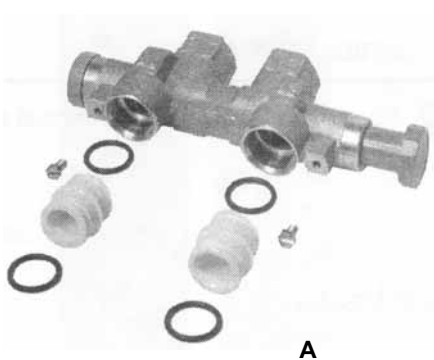
1" NPT Straight Through Adapter	01-0177-90
1 1/4" NPT Straight Through Adapter	01-0173-61

Drain Line - Available in 100 foot coils; sold by the foot.

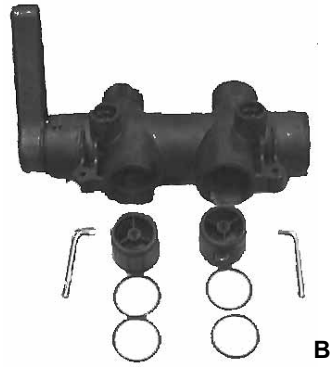
Tubing, 1/2", black, per foot	00-3319-46
Tubing, 1/2", grey, per foot	00-3030-82

Brine Tubing

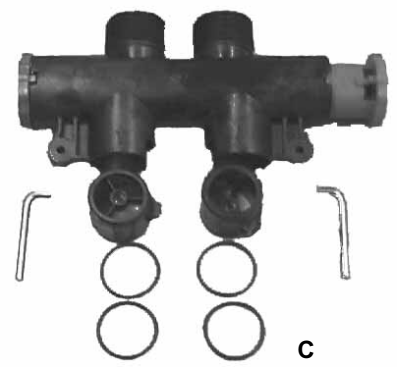
Tubing 5/16"	00-3031-28
Tubing 1/2"	00-9018-00



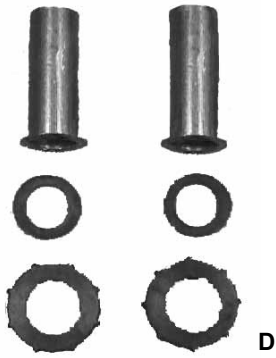
A



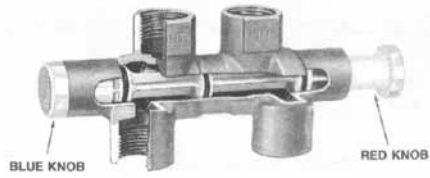
B



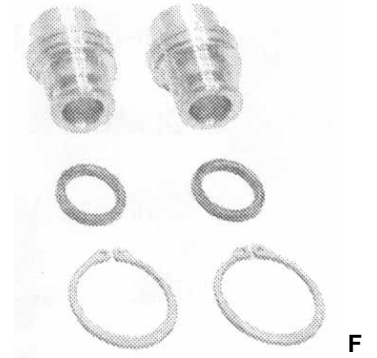
C



D



E



F



G



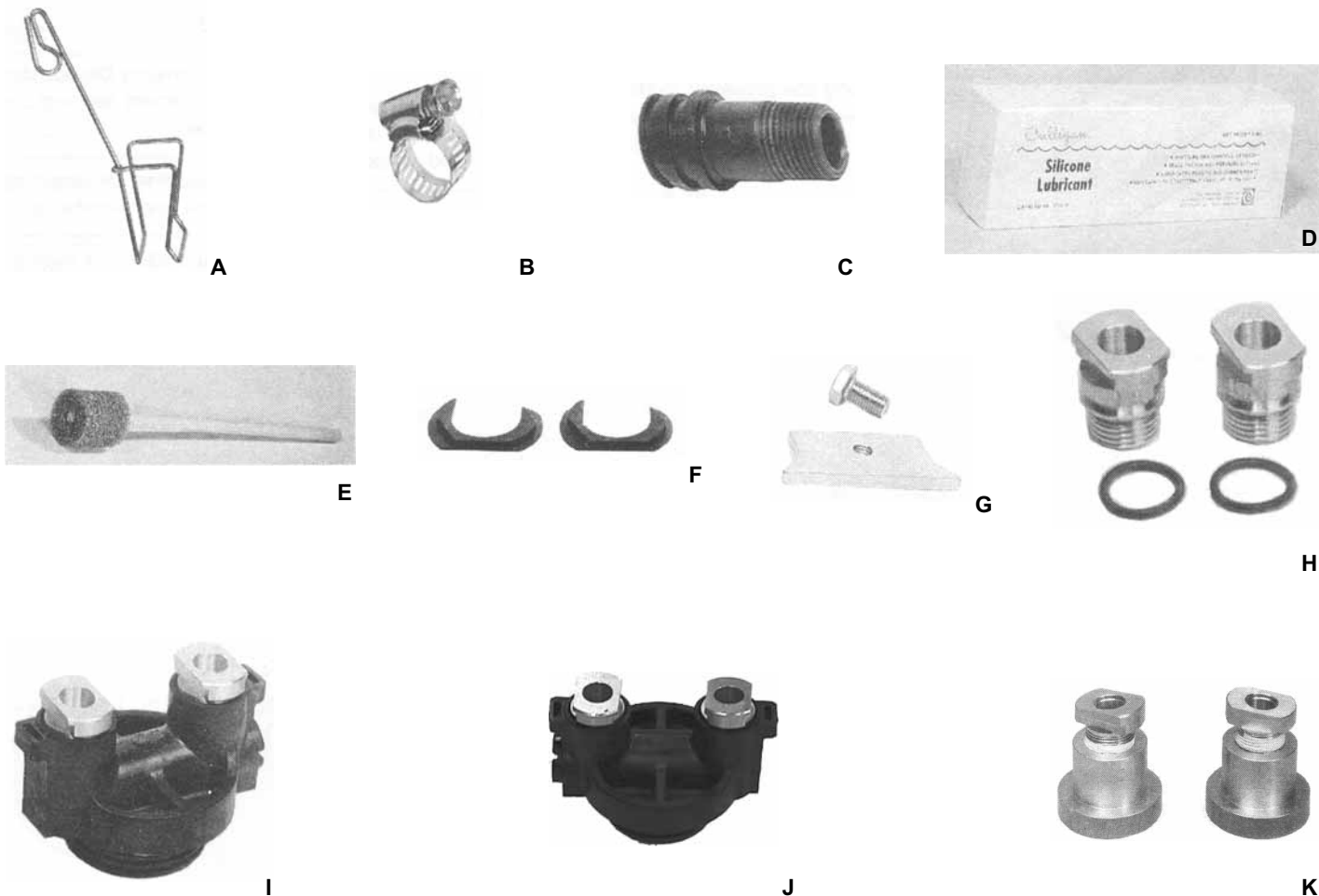
H

Drain Line Accessories

DESCRIPTION	CATALOG NO.
A. Laundry Tub Bracket – For securing drain line to laundry tub.....	00-3319-14
B. Camp 1/2" – To secure drain line to control valve drain fitting.	00-4517-01
C. Threaded Drain Fitting (Less O-Ring) – End is 3/8" NPT. Use on Culligan power valve controls when rigid drain connections are needed.....	00-4446-63
D. Silicone Lubricant – 5.3 ounce tube.	00-4715-07
E. Lubricating Swab	00-5916-00
F. Plastic Spacers – Positions control bracket when converting galvanized PE tanks for automatic rentals.	00-3307-81
G. Lock Plate and Bolt – Use with spacers above to hold down control valve to galvanized PE tanks. Lock Plate	00-3307-84
Bolt for above	00-3184-56

Backwash Kits for Center Opening Tanks

H. Fiberglass Tanks	00-4428-95
I. Tripl-Hull Tanks with 0.98" Manifold	01-0011-88
Tanks with 1.01" Manifold	01-0027-37
J. Tanks with 1.25" Manifold	01-0149-31
K. Backwash Kit for Plant Yoke Tanks	01-0048-96



Special Tools and Kits

DESCRIPTION CATALOG NO.

- A. Aqua-Sensor/Meter Device Tester** – Tests function of Aqua-Sensor or meter for Culligan Medallist Series Culligan Gold Series and Culligan Platinum Series and MVP circuit boards. 01-0077-05
- B. Pressure-Vacuum Kit** – For testing brine eductor function. Fits ¼”, 3/8”, 5/16” and ½” brine line. 01-0162-63
- C. Pressure Gauge** – Adapted to fit hose bib connection. Useful for checking line pressure. 0-160 psi range. 00-3044-50
- D. Aqua-Sensor Converter Adapter** – See chart below for selecting correct adapter.

Control	Sensor		
	3-Pin “Bullet”, Female	3-Pin PC, Female	5-Pin PC, Female
3-Pin “Bullet”, Male		Adapter, PN 01-0164-10	Adapter, PN 01-0164-10
3-Pin PC, Male (Gen 1)	Adapter, PN 01-0049-54		
5-Pin PC, Male (Gen 3, AccuSoft Plus, MVP)	Adapter, PN 01-0049-54 Shunt, PN 01-0082-82	Shunt, PN 01-0082-82 or 3-pin PC to 5-Pin PC Adapter, PN 01-0127-60	



A

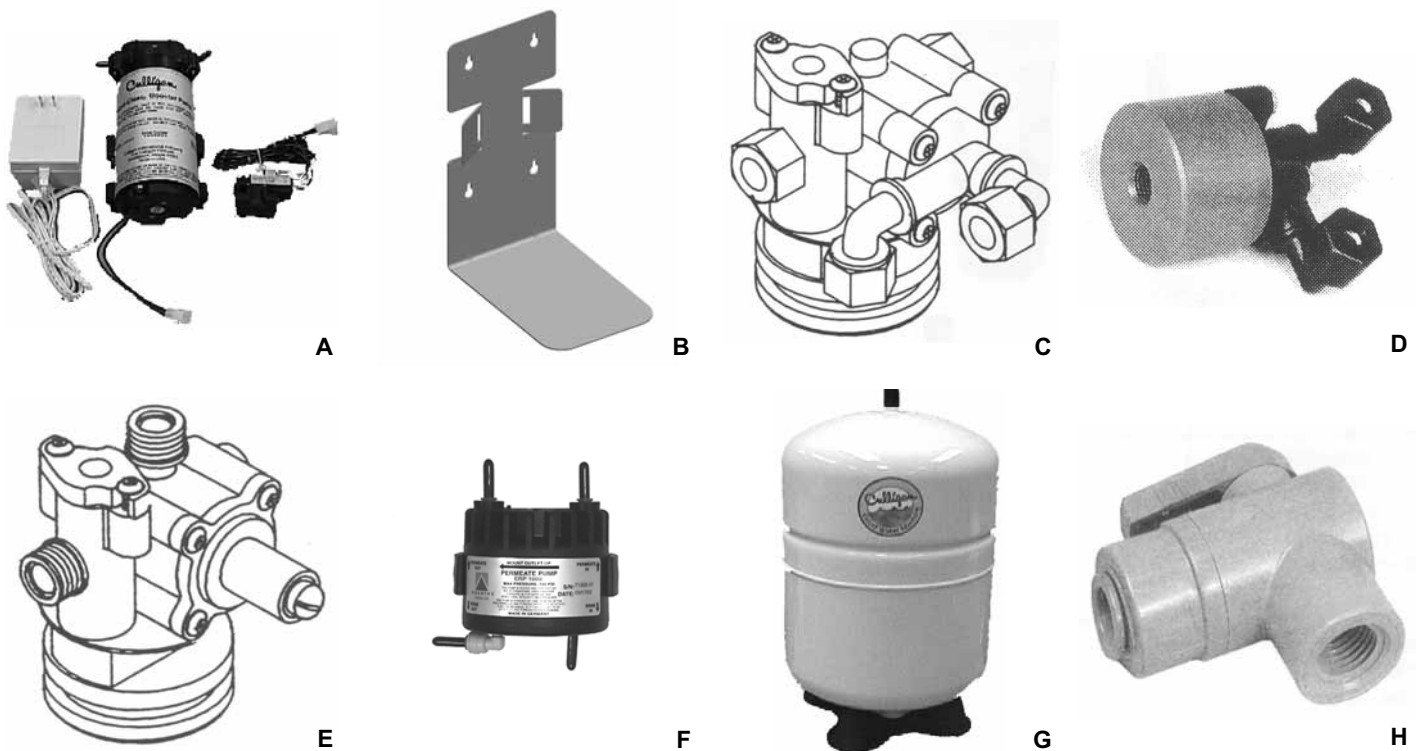
DRINKING WATER SYSTEM COMPONENTS AND ACCESSORIES

DESCRIPTION	CATALOG NO.
A. Good Water Machine Booster Pump – Boosts inlet pressure to improve flow/quality.	01-0093-34
Storage Tank Mounting Bracket	
B. 2 and 3 Gallon Tanks – 5 per package	01-0162-59
9 Gallon Tank – 3 per package	P1-0040-61
Automatic Shutoff Valves for Good Water Machine – Shuts off system when tank is full.	
C. Built-in to RO Module top cap (for H-30 systems)	01-0016-46
Quantity of 10	01-0022-36
D. Universal in-line version.	01-0015-75
Quantity of 10	01-0016-50
E. Pressure Relief Valve for Good Water Machine	
Diverts product water to drain when tank is full. Fits H-30 systems.	00-4010-81
F. Good Water Machine Permeate Pump – Improves membrane performance of Culligan RO system by utilizing the hydraulic energy of the RO concentrate water.	01-0161-83

Storage Tanks

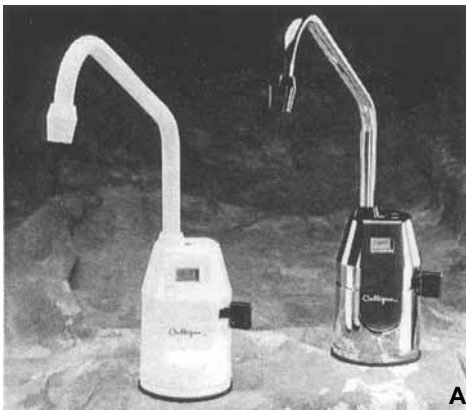
Dependable steel construction with 1/4" NPTM fitting. Order tank valve separately.

DESCRIPTION	CATALOG NO.
G. 2 Gallon Capacity	01-0050-95
3 Gallon Capacity	01-0047-76
9 Gallon Capacity	01-0047-65
H. 1/4" NPTI x 3/8" Tube (John Guest), Right Angle	01-0045-50

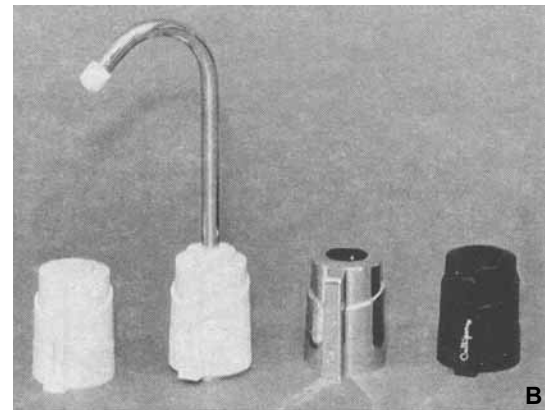


FAUCETS

DESCRIPTION	CATALOG NO.
A. Good Water Machine Air Gap Faucet – Brass Free Construction	
Chrome for ¼" Product Line	01-0004-42
White for ¼" Product Line	01-0022-53
Chrome for 3/8" Product Line	01-0043-47
White for 3/8" Product Line	01-0047-66
B. Filter Faucet – Brass Free and Rotary Operation	
White Accents with Culligan Logo	01-0035-37
Faucet Accessory	
Long reach spout only	01-0036-52
Stainless steel base washer – 1 ¾" diameter (5 per package)	P1-0043-46
Color Kits	
Black	01-0036-49
White	01-0036-47
Almond	01-0036-48
Chrome	01-0036-50
C. Water Tower Faucets	
Culligan Water Tower White Body/White Spout Faucet	01-0138-20
Culligan Water Tower Chrome Body/Black Handle/Chrome Spout Faucet	01-0148-04
Culligan Water Tower Almond Body/Almond Spout Faucet	01-0148-06
Culligan Water Tower Black Body/Black Spout Faucet	01-0148-07
Culligan Water Tower Satin Body/Black Handle/Chrome Spout Faucet	01-0148-08
Culligan Water Tower Black Body/Black Spout Faucet	01-0148-09



A



B



C

Filter Components

DESCRIPTION **CATALOG NO.**

A. Good Water Machine H-30 RO Module Housing

Complete with pressure relief valve and RO module..... 00-4029-89

B. Good Water Machine H-30 RO Carbon Prefilter Housing

Complete with carbon block cartridge. 00-4029-87

Monitors

DESCRIPTION **CATALOG NO.**

C. Good Water Machine Sentry Monitor – Monitors TDS and product water.

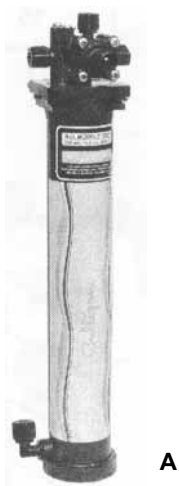
Includes faucet mounted LED display and sensor. For use with Good Water Machine faucet.

For 1/4" Product Line..... 01-0039-45

For 3/8" product Line..... 01-0047-12

D. Filter Sentry Monitor – For POU filters. Keeps track of gallons filtered.

Includes flow switch and LED display..... 01-0036-62



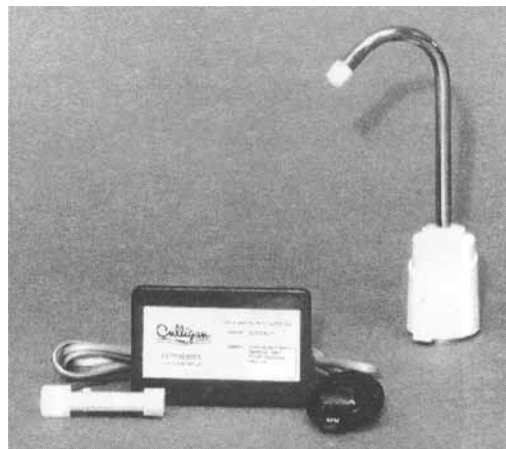
A



B



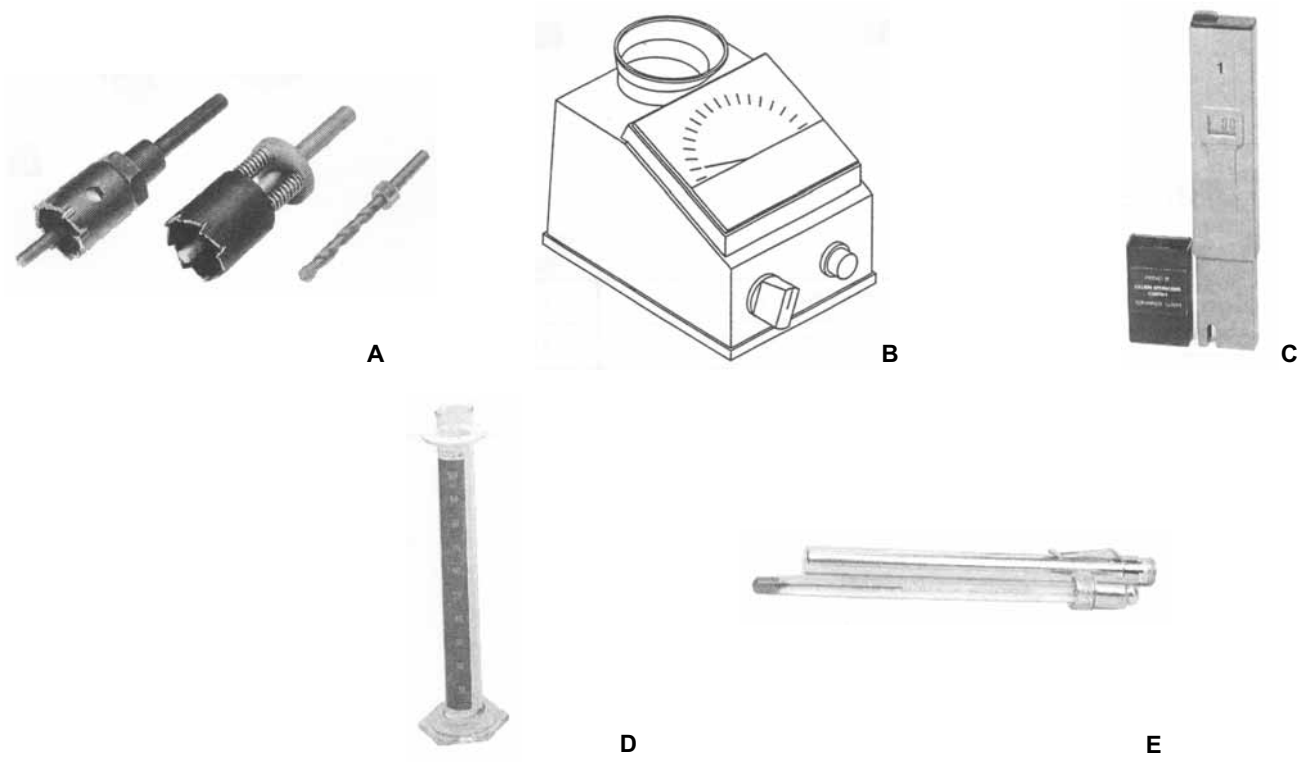
C



D

Installation and Service Tools

DESCRIPTION	CATALOG NO.
A. Porcelain Sink Cutter – Cuts 1 ¼” diameter holes. Includes pilot, porcelain and steel cutting bits.	00-5916-25
B. Myron L TDS Meter – 3 range, 0 - 2500 ppm.	D0-4705-04
C. Pocket Testers	
Pocket TDS Meter	00-8650-23
Pocket Sodium Tester – 3 range, 10 – 9850 ppm.	01-0037-02
Pocket Tester Kit – Includes Pocket TDS, pH and Sodium meters above.....	01-0037-03
D. Gradated Cylinder - 100 ml, glass.....	00-4705-03
E. Pocket Thermometer – Includes protective metal case.....	00-4705-01
Pressure Gauge – 0 - 160 psi, 1/8” NPTM	00-4486-21



INSTALLATION PARTS AND ACCESSORIES

Piercing Valve

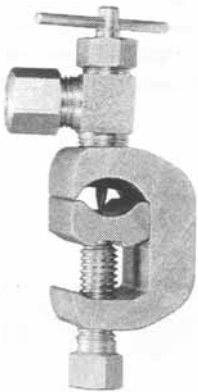
DESCRIPTION	CATALOG NO.
A. Piercing Valve – “C” Clamp Style	00-5714-02
B. Piercing Valve – Saddle Type	01-0008-89
C. Drain Piercing Valve – For 1/2” Good Water Machine Drains	01-0003-29

Tubing

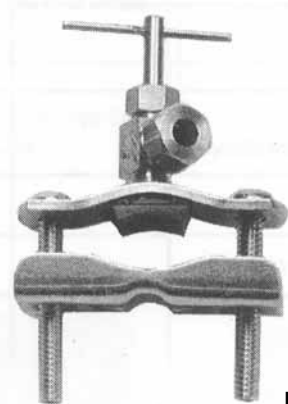
1/4” O.D. Polyethylene, Blue	00-4021-84
1/4” O.D. Polyethylene, Clear	00-3031-96
3/8” O.D. Polyethylene, Blue	01-0002-87
0.47” I.D. Poly Drain Tubing	00-4037-30

Water Tower Service Tools

Spanner Wrench for Housing Removal	21-4010-03
Flow Control Removal Tool	21-4010-01



A



B



C

REPLACEMENT FILTER CARTRIDGES

DESCRIPTION **CATALOG NO.**

Service Kits

Replacement filter kit with open end 30 gpd RO module, sediment filter, carbon block pre-filter, ¼" post-carbon filter and capillary tubing.....	01-0090-06
Replacement filter kit with sealed end 30 gpd RO module, sediment filter, carbon block pre-filter, ¼" post-carbon filter and capillary tubing for H-30.	01-0074-04
Replacement filter kit with sealed end 30 gpd RO module, sediment filter, carbon block pre-filter, 3/8" post-carbon filter and capillary tubing for AC-30.	01-0074-11
Replacement filter kit with sediment filter, carbon block pre-filter and 3/8" post-carbon filter for AC-30.....	01-0048-58

RO Modules

10 gpd CTA – 10 pack.....	01-0001-22
10 gpd CTA – 25 pack.....	01-0082-57
15 gpd TFC membrane – 10 pack.....	01-0176-81
15 gpd TFC membrane – 25 pack.....	01-0176-82
30 gpd TFC, open end product tube – 10 pack	01-0074-07
30 gpd TFC, sealed end product tube – 10 pack	01-0074-09
30 gpd TFC, open end product tube – 30 pack	01-0074-10
30 gpd TFC, sealed end product tube – 30 pack	01-0074-08
50 gpd TFC module.....	01-0060-98

Carbon Pre-filters

GAC carbon pre-filter – 10 pack	01-0001-21
GAC carbon pre-filter – 50 pack	00-4028-08
Carbon block pre-filter for AC-30, AC-50, H-30 and Systems 101 – 12 pack.....	P1-0125-80
Carbon block pre-filter for AC-30, AC-50, H-30 and Series 101 – 50 pack	01-0126-00
Carbon block pre-filter for Series 201– 12 pack	P1-0125-81
Carbon block pre-filter for Series 201 – 50 pack.....	01-0126-01
Carbon block pre-filter for Series 301 – 12 pack	P1-0125-82
Carbon block pre-filter for Series 301 – 50 pack.....	01-0126-02
Capillary Assembly (AC Series).....	01-0090-25
Capillary Assembly (H Series).....	01-0090-27

Post-Carbon Filters

GAC carbon post-filter, ¼" JG black housing – 10 pack	01-0001-24
GAC carbon post-filter, ¼" JG black housing – 50 pack	00-4028-07
GAC carbon post-filter, 3/8" JG white housing – 10 pack.....	P1-0042-91
GAC carbon post-filter, 3/8" JG white housing – 50 pack.....	01-0047-68

Sediment Filter

Sediment filter – 10 pack.....	01-0001-20
Sediment filter – 50 pack.....	00-4028-09

WATER TOWER REPLACEMENT FILTER CARTRIDGES

RO Modules

35 gpd TFC	01-0130-26
35 gpd TFC – 12 pack	01-0137-83

Carbon Pre/Post Filters

Carbon block pre-filter/post-filter – 12 pack	01-0137-82
---	------------

Sediment Filter

Sediment filter – 12 pack	01-0137-81
---------------------------------	------------

REPLACEMENT FILTER CARTRIDGES

DESCRIPTION **CATALOG NO.**

Preferred Series Filters

Preferred 150 cartridge	01-0028-68
Preferred 250 cartridge	01-0028-66
Preferred 350 cartridge	01-0028-70

Filtr-Gard Filters

Fine Polypropylene Cartridge

Opaque Bowl	01-0046-76
Opaque Bowl – 40 pack	P1-0046-76
Clear Bowl	00-9553-17

Medium Polypropylene Cartridge

Opaque Bowl	00-9550-10
Clear Bowl	00-9553-18

Course Polypropylene Cartridge

Opaque Bowl	00-9550-26
Clear Bowl	00-9553-19

Ceramic Cartridge

Opaque Bowl	00-9550-27
Clear Bowl	00-9550-15

Flavr-Gard Filters

Filter cartridge with Cullar G Activated Carbon	00-9552-61
Filter cartridge with Cullar M Activated Carbon	00-4478-07
Composite carbon cartridge	01-0052-04
Composite carbon cartridge – 20 pack	01-0062-68

Super-Gard Filters

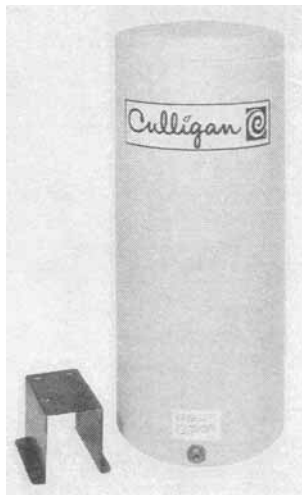
Filter cartridge with Cullar G Activated Carbon	00-4441-74
---	------------

CHEMICAL FEEDER SYSTEM ACCESSORIES

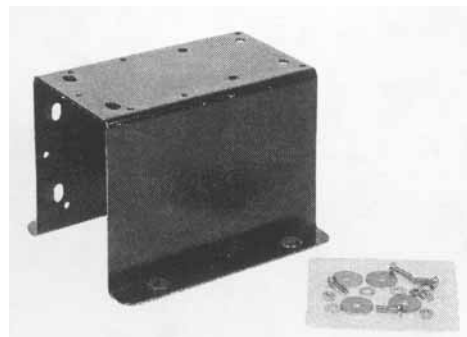
DESCRIPTION	CATALOG NO.
Solution Tank Assemblies for Feeder Systems	
Includes tank and cover, bulkhead fitting installed, 3/8" and 1/4" tubing adapters, volume measuring tape and feeder bracket for floor or wall mounting.	
20 gallon tank	00-4426-90
40 gallon tank	00-4426-91
Feeder Bracket – For wall or floor mounting of feeder.....	00-4426-89
Flow Switch – Used to activate chemical feeder.	
For 3/4" pipe	00-3310-27
For 1" pipe	00-2282-06
Tubing for Chemical Feeders (order by foot)	
Suction tubing	00-3030-34
Discharge tubing	00-3031-77

CULLIGAN AIR TREATMENT SYSTEM REPLACEMENT LAMPS

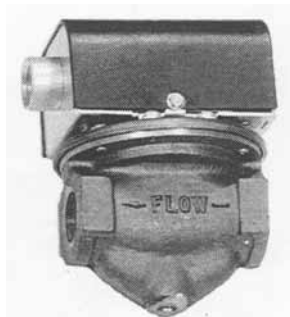
DESCRIPTION	CATALOG NO.
Germicidal Lamp for Culligan Air Treatment Unit (Long Lamp).....	01-0172-66
Ozone Lamp for Culligan Air Treatment Unit (Short Lamp).....	01-0172-66



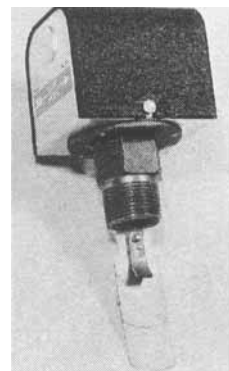
A



B



C



D